

## A704-VL Solar Helipad and Taxiway Light

The A704-VL meets traditional helipad requirements in an easy-to-install, low maintenance package. Lights are third-party tested for ICAO and FAA compliance, and our proven technology platform offers 3 solar engine sizes.

### Applications

- Helipads
- Touchdowns and lift-off area (TLOF)
- Final approach and take-off area (FATO)
- Taxiway lighting
- NVG operations, covert-only mode
- Emergency or temporary lighting

### Advanced Design

- Improved optical efficiency with latest LEDs
- High-efficiency monocrystalline solar panels
- Reduced standby power consumption
- Multiple battery sizes for best value-for-performance
- Optional wireless control provides remote operation using either 900 MHz or 2.4 GHz communication

### Easy Installation

Limited crew. No trenching. No airfield interruptions. Just place the A704-VL and it emits light dusk-to-dawn while maintaining its battery.

### Low Maintenance

The A704-VL integrates solar panels, battery, electronics and LED light source into a compact, stand-alone unit requiring minimal maintenance for 7 years.

### Reliable

The Energy Management System (EMS) monitors all operations to provide consistent output in the harshest environments. Testing to ICAO, FAA and MIL specifications ensures high performance for many years.

### Trusted

With thousands of installations worldwide, Flash Technology solar LED lights operate year-round at over 500 airports and military bases.



Optional wireless control

Optional handheld controller  
- 900 MHz OR 2.4GHz with encrypted signal  
- Control 8 groups of lights

Optional military and barrel charge ports

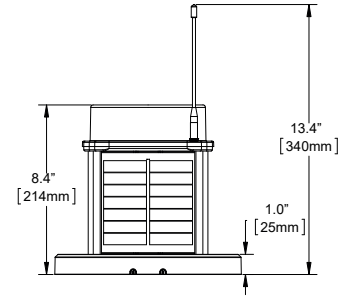
# A704-VL

## SPECIFICATIONS

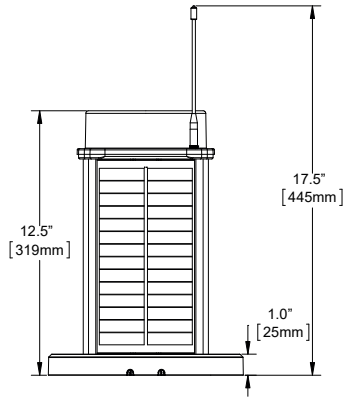
Compliance	ICAO FATO (Annex 14, Vol. 1, 5.3.7.4 and Vol. 2, Appendix 1)
	ICAO TLOF (Annex 14, Vol. 1, 5.3.9.20 and Vol. 2, Appendix 1)
	ICAO taxiway (Annex 14, Vol. 1, 5.3.18.8)
	FAA L-861T (AC No. 150/5345-46D, EB67)
	FAA L-860HR (EB 87D, EB67D)
Optical	High-powered LEDs meet IES LM-80 lumen maintenance ensuring consistent photometrics for life of product
	ICAO, SAE25050 (FAA) and FAA EB 67 compliant chromaticity
	NVG-compatible infrared (IR) LEDs
Solar Panel	Steady-on and flash, IR-only mode
	High-efficiency solar cells with blocking diodes
Battery	Maximum power point tracking with temperature compensation (MPPT-TC) for optimal energy collection in all solar conditions
	Pure-lead VRLA AGM battery with manufacturer operating range -85 to 176 °F (-65 to 80 °C)
Energy Management System (EMS)	Onboard battery status; Optional port for battery charging and cabled operation
	Designed for 5-year battery life; Replaceable and recyclable
	2500 cycles or 7-year lifetime on average
Automatic Light Control (ALC)	Intelligent, microprocessor
	Push button interface for local control
Construction	Autonomous (dusk-to-dawn), temporary and emergency modes
	When enabled, automatically adjusts to low levels of sunlight to ensure continuous operation
Temperature	Premium, UV-resistant polycarbonate lens (jet blast resistant glass lens available)
	Corrosion-resistant, powder-coated aluminum chassis with integrated handle
	Waterproof, vented battery compartment
Wind Loading	-22 to 122 °F (-30 to 50 °C) Optimal
	-40 to 176 °F (-40 to 80 °C) Maximum
Ice Loading	400 mph (644 kph)
Shock & Vibration	0.03 psi (22 kg/m <sup>2</sup> )
Ingress	MIL-STD-202G and MIL-STD-810G
	EN 60529 IP 67 immersion
	MIL-STD-202G immersion & damp heat cycling
	MIL-STD-810G rain & salt fog

## WEIGHTS AND DIMENSIONS

**COMPACT**  
12.4 lbs (5.6 kg)  
Battery (60X) - 4.2V, 15 Ahr

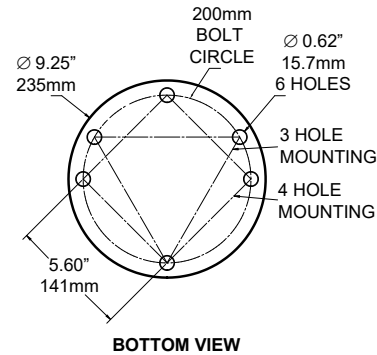


**STANDARD (WITH COMPACT BATTERY)**  
15.3 lb (6.9 kg)  
Battery (60X) - 4.2V, 15 Ahr



**STANDARD**  
16.4 lb (7.4 kg)  
Battery (96E) - 4.2V, 24 Ahr

**LARGE**  
24.5 lbs (11.1 kg)  
Battery (200BC) - 4.2V, 50 Ahr



## CONFIGURATION

Model	Color	Solar Engine	Chassis	Lens	Control	Charge Port
A704-VL	White / IR Blue / IR Green / IR Yellow / IR	Compact Standard Large	Yellow Olive Drab	Polycarbonate Tempered Glass	Non-wireless Wireless (900 MHz) Wireless (2.4GHz)	None Charge Port Military Charge Port



# FLASH TECHNOLOGY

flashsales@spx.com | flashtechnology.com/airfield | 1.615.503.2000

©2021 Flash Technology. All rights reserved. Data and specifications subject to change without notification. ISO 9001:2015. DA704-VL Rev D