

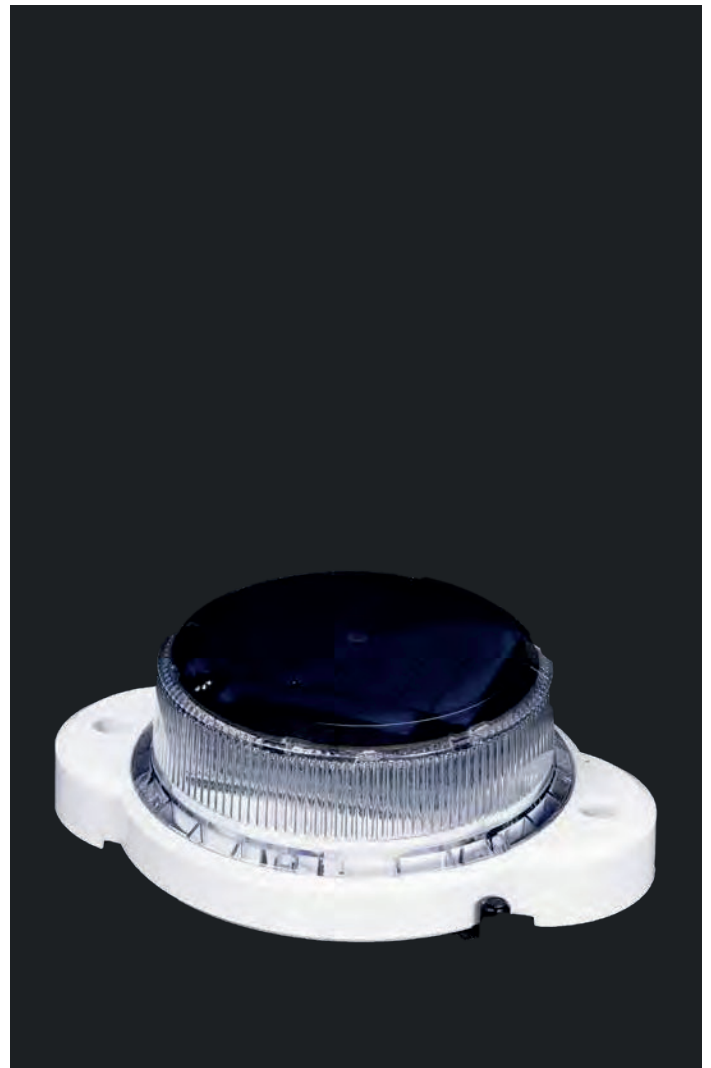


## M550

### Self-contained LED lantern, 1 to 2 NM range

This miniature solar LED marine lantern offers leveraging custom optics, high-efficiency solar panels and premium materials. Now with replaceable, recyclable batteries this lantern provides excellent value and reliable operation over the long term. Battery life expectancy is five years with product life up to 10 years and a three-year warranty. Ideal for marine aids-to-navigation, marina lighting, dock lighting, and port lighting. To view performance in your installation location, visit [www.sabik-marine.com](http://www.sabik-marine.com) ->Marine Selector Tool

- 40 user-adjustable flash patterns and programmable intensities
- Replaceable, recyclable, high-temperature-rated NiMH AA batteries
- Automatic Light Control (ALC) 2.0; achieve optimal intensities throughout the year
- Premium grade, UV resistant polycarbonate body and lens material
- IP 68 rated
- Ventilated battery compartment



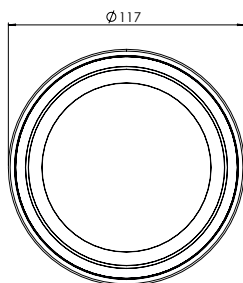
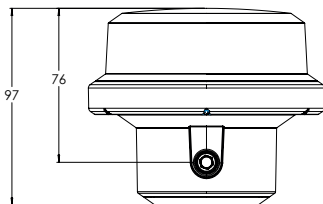
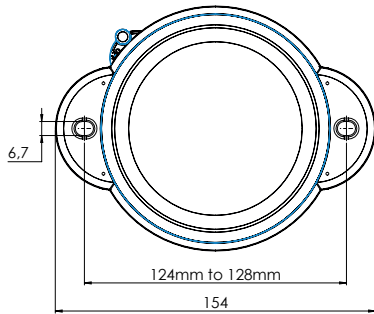
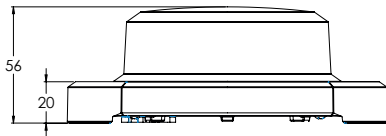
**Optical performance**

**Maximum fixed intensity**

18 cd	23 cd	29 cd	25 cd	8 cd
-------	-------	-------	-------	------

**Main Technical Specification**

<b>Construction</b>	Premium grade, UV resistant polycarbonate lens/head and polycarbonate/polysiloxane co-polymer base.
<b>Lens visual/Mechanical diameter</b>	102 mm
<b>Lens material</b>	UV stabilized polycarbonate
<b>Light source</b>	High Flux Surface Mount LED
<b>Solar module</b>	High efficiency cells ; 0,6 W
<b>Battery</b>	3 NiMH AA cells; 3,6 V / 1.1 Ah capacity
<b>Degree of ingress protection</b>	IP 68
<b>Weight</b>	Flange Mount: 0.37 kg (0.8 lbs) Pole Mount: 0.40 kg (0.9 lbs)
<b>Overall height</b>	56 mm (flange mount), 97 mm (pole mount)
<b>Overall width</b>	155 mm dia.
<b>Installation</b>	2 x M6 on 128 mm dia.



**Order Overview M550**

**Product codes**

Colour	M550 Flange	M550 Flange switched	M550 Pole
red	M550RF	M550RF-S	M550RP
green	M550GF	M550GF-S	M550GP
white	M550WF	M550WF-S	M550WP
yellow	M550YF	M550YF-S	M550YP
blue	M550BF	M550BF-S	M550BP

**Option matrix**

<b>M550 Flange Mount - Switched</b>	2-bolt mount with ON/OFF switch
<b>M550 Flange Mount</b>	2-bolt mount
<b>M550 Pole Mount</b>	Pole mount

**Accessories**

59935	Pole Mount Replacement/Conversion Kit
70943	Flange Mount Replacement/Conversion Kit
70937	Switched Kit (compatible with Flange Mount only)
70955	Replacement NiMH batteries
59934	Bird Deterrent (single)