



## Data Sheet

### LO200 HW FSL Tower illumination

- **Maintenance-free LED technology**
- **Light colour: white**
- **Degree of protection: IP 66, seawater-resistant design, corrosion category C5-1**
- **Adjustable intensity**
- **Power consumption 30 W at maximum operating light intensity (50,000 cd)**
- **divergence at 50 % operational brightness**
- **Integrated control electronics**
- **Fastening by bracket for mounting on the rail; bracket made from stainless steel, ANSI316**

The LED LO200 HW FSL serves to illuminate wind turbines for the temporally limited marking of the arrival and departure corridor to the helipad of the offshore wind farm.

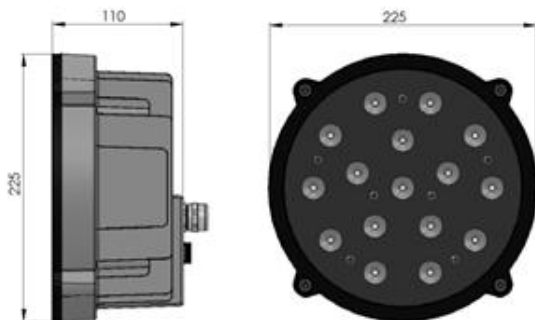
A control input port P can be used to switch on the light and, if required, control its brightness via an underlaid pulse width signal. Upon reduction of the intensity, power consumption decreases proportionally (e.g. 100 % = 30 W → 65 % = 19.5 W).

The B and P input ports are protected against reverse polarity and surge pulses.

Electrically connection is via a robust cable, firmly attached to the lamp and resistant to sea water and oil (B+, B-, P, PE). The length of the cable is determined by the customer.

## Technical Data

### Dimensions, weight



Dimensions (diameter x depth)	225 mm x 110 mm
Weight	3,9 kg

### Light intensity and divergence

Maximum light intensity (along the optical axis)	50.000 cd
Divergence (horizontal and vertical)	(8±1)° @ 50 % maximum intensity (15 ± 2) ° @ 10 % maximum intensity

### Connection

Electrical connection	Connection cable, (3+1)×1.5 mm <sup>2</sup> , shielded, terminal ferrules
-----------------------	---

### Power supply (input port B+, B-)

Operating voltage $V_{IN}$	20...30 V DC
Power consumption ( $V_{IN}=24$ V DC, 100 % pulse width)	30 W

### Activation (input port P)

Switching voltage (relative to B-)	OFF: 0...7 V DC ON: 12...36 V DC
Switching frequency	0...125 Hz
Pulse width control range	5...100 %
Input resistance	≈ 5 kΩ

## Environmental conditions

Ambient temperature (operation)	-40...60 °C
Ambient temperature (storage / transport)	-40...70 °C
Humidity (operation / storage / transport)	max. 95 %
Atmospheric pressure (operation / storage / transport)	80 kPa bis 108 kPa
Degree of protection (according to IEC 60529)	IP66

## Mounting



## Connection table

Lead	Name	Description
1	B+	(+) Supply voltage (20...30 V DC)
2	B-	(-) Supply voltage
3	P	Control input port (0 ... 36 V DC relative to B-)
GREEN-YELLOW	PE	Protective grounding (connected to lamp casing)
Shielding		Cable shielding (connected to lamp casing)

## Ordering information

Beschreibung	Typ	Artikelnummer
Tower illumination for offshore wind turbines	LO200 HW FSL	10001248
Tower illumination fastening for GRP handrail	LO200 HW FSL GFK	10001249
Tower illumination fastening for footprint mounting	LO200 HW FSL FP	10001496