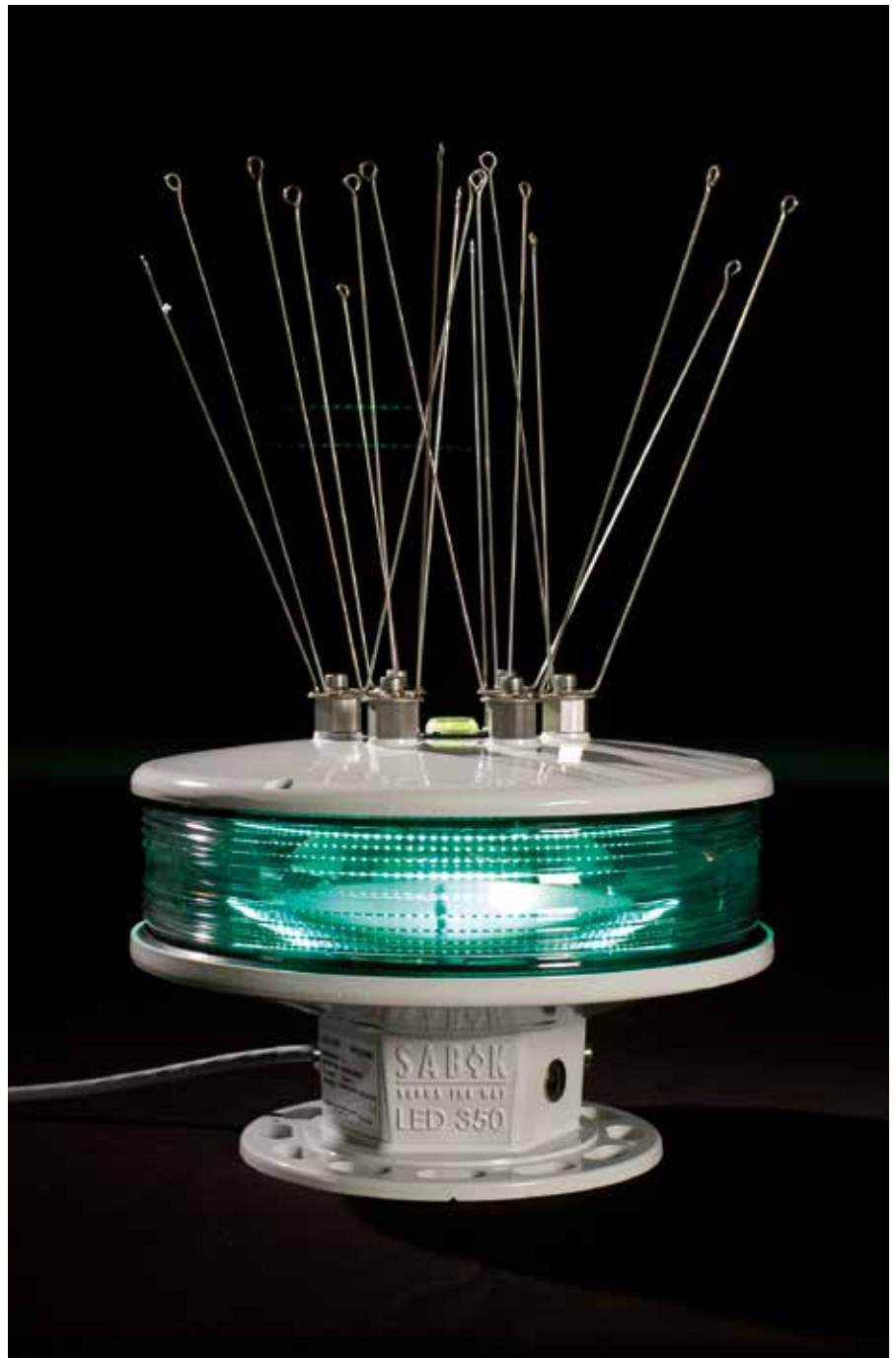


LED 350

High intensity LED lantern
for fixed installations

LED 350 is a high performance omni-directional LED precision beacon with a range up to 15 NM ($T_c = 0,74$). 10 NM range with white achieved with less than 10 watts.

- **High light efficiency;**
175 candela/watt
- **Supplied with 1-7 tiers, max**
14 700 cd luminous intensity white
- **Standard IALA colours Red, Green,**
White, Yellow
- **Rugged aluminium housing for**
installation in marine environment
- **Extremely low power**
consumption, suitable for solar
and battery operation
- **Integrated flasher with day light**
switch and a 16A solar panel
charger
- **Field adjustable intensity**
and range
- **Programmable with Sabik**
standard IR programming devices
- **Integrated 365 day event log**
- **Optionally integrated**
GPS synchronization
- **Optionally integrated**
GSM remote monitoring
- **Optionally available with tamper**
proof serial number
- **Equipped with Bluetooth**
programming





Bird spikes

Stainless steel bird deterrents as standard. Easy to replace. Offers great protection against large birds like cormorants. Spike designed to prevent injury to service technicians.



Level indicator

The lantern can easily be levelled in field using the integrated bubble level indicator.



IR port and photocell

Combined infrared communication port and photocell is located on the base of the lantern.



Additional cable entry

Equipped as standard with two cable entries. If the secondary entry is needed e.g. for a solar module standard M20 cable gland can be fitted.



Sabik Easy Programmer

User friendly and compact wireless two-way programmer.



Triplex

Multiple tiers up to 7 tiers for high intensity.



Installation

The bottom plate of the LED 350 supports installation on structure using 3 x M12 bolts or 4 x M12 bolts on a 200 mm diameter.



Grounding plug

The base plate has a grounding plug as standard to enable good protection to against electromagnetic interference.



External baffles

The lantern can be optionally supplied with multiple colours using external radial baffles between the colours. This enables warning sectors to be integrated in the same lantern.



Simplex Combinations

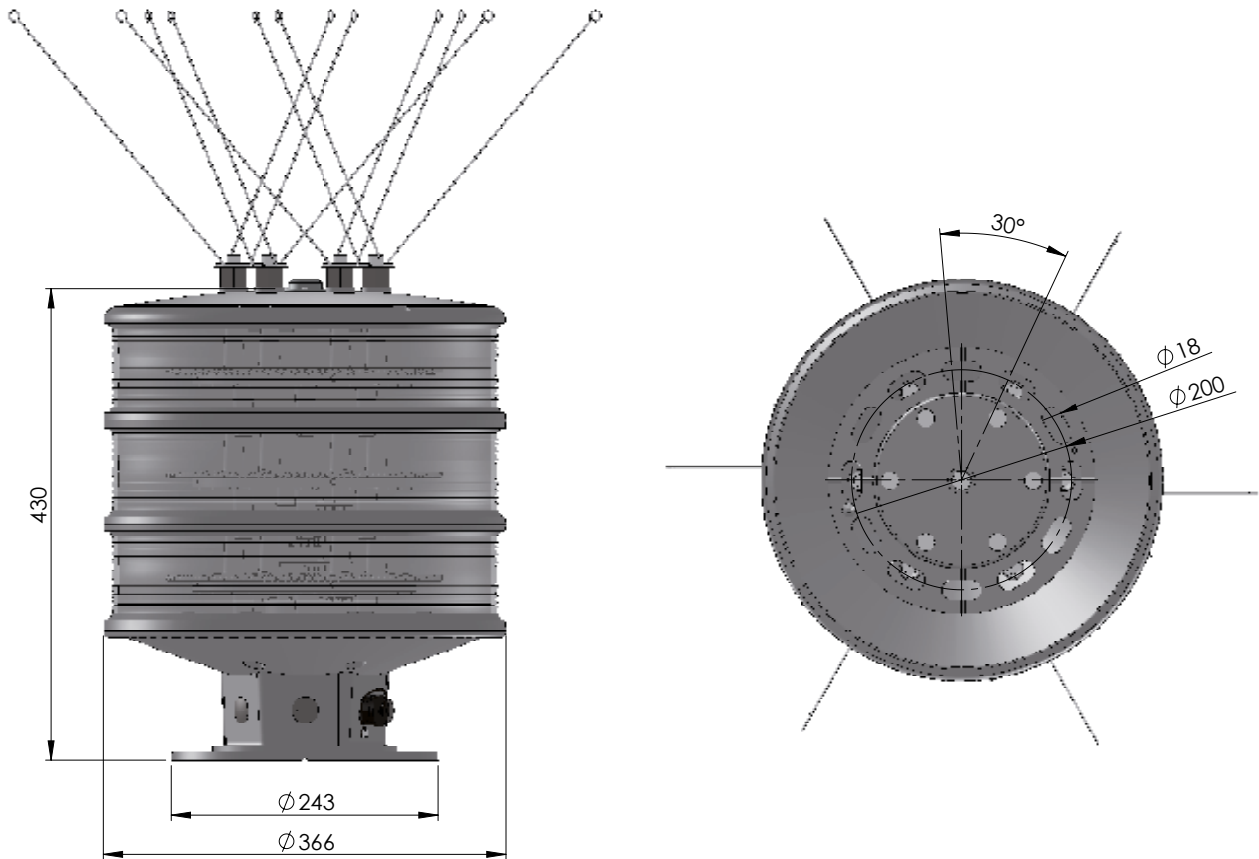
The LED 350 lantern can also be combined with the LED 155 buoy lantern in order to increase short distance visibility.



Bluetooth® Control

Lantern can be programmed and controlled up to 50 meters distance with standard android and iOS mobile phones.

Technical Specification LED 350



Optical performance

Maximum fixed luminous intensity

1-tier, 12 W	1.400 cd	1.400 cd	2.100 cd	1.500 cd
2-tiers, 24 W	2.800 cd	2.800 cd	4.200 cd	3.000 cd
3-tiers, 36 W	4.200 cd	4.200 cd	6.300 cd	4.500 cd
4-tiers, 48 W	5.600 cd	5.600 cd	8.400 cd	6.000 cd
5-tiers, 60 W	7.000 cd	7.000 cd	10.500 cd	7.500 cd
6-tiers, 72 W	8.400 cd	8.400 cd	12.600 cd	9.000 cd
7-tiers, 84 W	9.800 cd	9.800 cd	14.700 cd	10.500 cd

Main Technical Specification

Lens visual/Mechanical diameter	350 mm
Lens material	UV stabilized Polycarbonate
Light source	Light Emitting Diodes (LEDs)
Vertical divergence	1.5° @ 50% (±0.3°) and 3° @ 10% (±0.5°) of peak intensity
Unit lifetime	Up to 10 years
Weight	10 kg for single tier unit, add 2 kg for each tier
Temperature range	-40°...+60°C
Supply Voltage	10 – 32 VDC
Solar Panel Charger	16 ampere PWM charger. Solar production (Ah) is logged
Power consumption	12 watts / tier
Degree of protection	IP 67

Order Overview LED 350

Option matrix

OPT 1: Optical Feedback System	Integrated LED performance measurement
OPT 4E: GPS sync	Integrated GPS sync excluding GPS external antenna
OPT 7: External GPS	External GPS antenna for OPT 4
OPT 9E: LightGuard GSM + GPS	Integrated GSM based monitoring including external GSM antennas
OPT 10: LightGuard GSM	Integrated GSM based monitoring including GSM antenna
OPT 11: Control card	Control card for secondary battery
OPT 12: Aux card with I/O	Aux card including I/O ports
OPT 13: Aux card with RS485 and I/O	Aux card including RS 485 and I/O port
Shock & Tilt Sensor	Integrated 3-axis G sensor for tilt and shock sensing
External baffles	External baffles when unit is supplied with coloured sectors

single tier (standard)		Two tiers (duplex)		Three tiers (triplex)	
Red	LED 350 1R	Red	LED 350 2R	Red	LED 350 3R
Yellow	LED 350 1Y	Yellow	LED 350 2Y	Yellow	LED 350 3Y
Green	LED 350 1G	Green	LED 350 2G	Green	LED 350 3G
White	LED 350 1W	White	LED 350 2W	White	LED 350 3W

Product code example: LED 350 3W.10

- **LED 350 3** is Sabik code for a three-tier LED 350
- **W** is the code for a lens in white
- **10** is a selection of option 10 integrated GSM antenna