



# PALT

PORTABLE AIRFIELD LIGHTING TRAILER

Install airfield lighting in minutes with the PALT Portable Airfield Lighting Trailer system.

- Stores and charges 130+ lights for a complete 4000 m runway
- Configurable from 500 - 4000 m runway
- Air transportable and towable to expedite airfield light installation
- Integrated AC and solar charging system ensures airfield lights are always ready



## Applications

The PALT combines our rugged cable and transportation trailer product line with our trusted A704, A650, and PAPI solar airfield lights. Our system is ideal for:

- Military, police, airport operators
- Night vision goggle (NVG) and covert operations
- Humanitarian, disaster, and medevac situations

## Compliant and Self-contained

Airfield lights are a critical navigation aid for pilots and ours are:

- ICAO and FAA compliant
- Solar-powered = no cabling or civil works required
- Self-contained, integrated, and sealed against water and dust to greater than IP68

## Proven in Austere Environments

Used worldwide in military environments for over fifteen years, our airfield lights exceed operational requirements:

- Lightweight, compact, and designed for portability with integrated handles, aviation yellow or olive drab chassis, and military charge ports
- Wirelessly controlled up to 4 km with military-grade encryption
- High efficiency, LED optics
- Third-party tested for performance

The system is easily configured to transport, charge, and control these products:



Runway Edge Lights



Apron and Taxiway Edge Lights



Wireless Control



Runway Threshold Lights



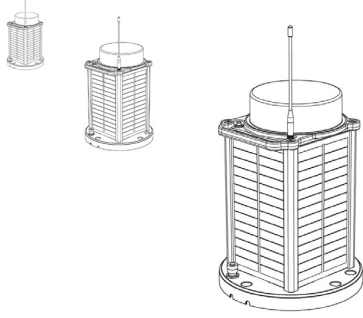
PAPI



ARCAL

REPRESENTED IN YOUR REGION BY:



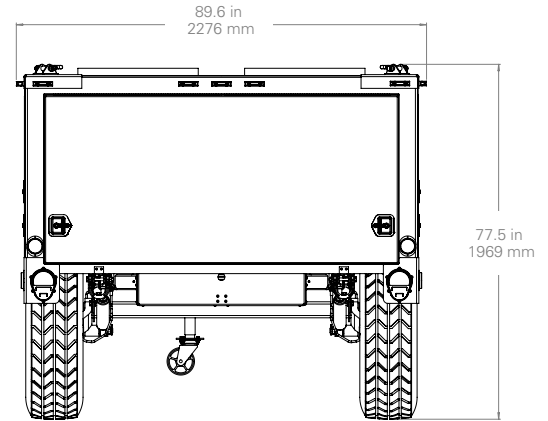
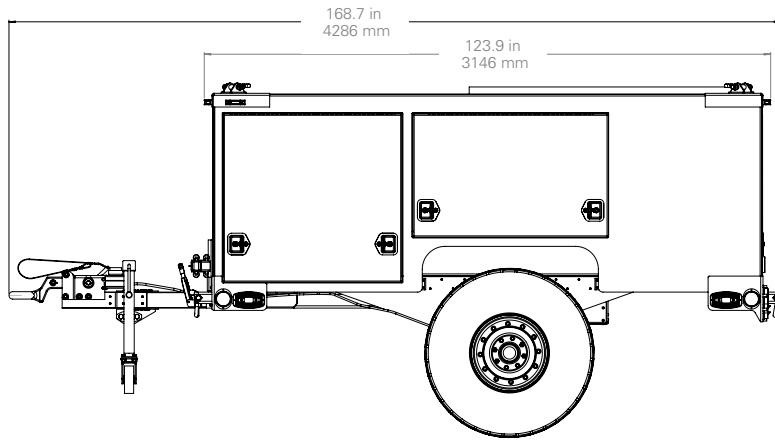


Handheld Controller

- 4 km (2.5 mi) control range
- 900 MHz with encrypted signal
- Control 8 groups of lights independently

# PALT

PORTABLE AIRFIELD LIGHTING TRAILER



## TRAILER SPECIFICATIONS

The PALT utilizes a recognized platform with these key features:

Features	Light Tactical Trailer (LTT) chassis matches the performance of US military HMMWV and NATO requirements
	Air transportable with lifting points
	Fits in standard cargo container
	Front and rear stabilization bars easily deploy during use
	Changeable tongue for ball-mount, pintle hook, or lunette ring towing
	Hydraulic brakes, operating and blackout lights
	Rugged off-road suspension, wheels, and run-flat tires
Dimensions	Chromoly steel and aircraft aluminum chassis
	4286 mm (169 in) total length, 2276 mm (90 in) width, 1969 mm (78 in) height, 1840 mm (72.5 in) track width
	1905 kg (4200 lb) max. weight
	410 mm (16 in) min. ground clearance

To this versatile platform, we add a comprehensive Go Power! industrial-grade solar charging system. Recharge via the sun or any AC outlet with:

Solar System	Large 4x AGM battery bank to recharge the airfield lights' batteries during storage
	320 W solar panel array recharges the battery bank when no AC power is available
	75A battery charger recharges the battery bank quickly when connected to AC power
Electrical	Integrated user readout including battery status, voltage, LVD
	NEMA electrical box with circuit breakers for easy maintenance



Simply open the easy-access doors, disconnect charge port, remove A704 solar airfield light, and place on the ground to assemble your airfield.



## AIRFIELD LIGHTING SPECIFICATIONS

Features	FAA and ICAO compliant lighting
	A704 white and white/yellow runway edge lights (quantity depends on runway length) + 12x A704 red/green threshold lights + optional A704-VL blue taxiway lights
	Visible and NVG-compatible infrared (IR) output
	Wireless control from up to 4 km (2.5 miles) away
	-40 to 80 °C (-40 to 176 °F) max. operating temperature

## CONFIGURATION

MODEL	RUNWAY LENGTH ▼	CHASSIS ▼	OPTIONS ▼
PALT	500 M 1000 M 2000 M 3000 M 4000 M OTHERS AVAILABLE	DESERT TAN OLIVE DRAB AVIATION YELLOW WHITE OTHERS AVAILABLE	PERMANENT LIGHTING MOUNTS TAXIWAY LIGHTS PAPI SYSTEMS PILOT-ACTIVATED ARCAL

Specifications subject to local environmental conditions.

Specifications may be subject to change.

US and International patents apply. Other patents pending.

"Carmanah" and Carmanah logo are trademarks of Carmanah Technologies Corp.

All Carmanah products are manufactured in facilities that are certified to ISO quality standards.

Carmanah is a Canadian public corporation - TSX:CMH

© 2016, Carmanah Technologies Corp.

Document: AVIA\_trailer\_RevB