

Precision Approach Path Indicator (PAPI)

The LED PAPI is the most advanced on the market and has a wide range of configurations:

- Visible and IR output
- Portable and permanent
- ICAO / FAA / STANAG Compliant (100-240 VAC PAPI and APAPI versions are certified to FAA AC 150/5345-28H)
- Several power options

Applications

- Permanent and temporary airfields
- Emergency helipads
- Military & NVG operations

Advanced Optics

The PAPI and Abbreviated PAPI (APAPI) use patented, LED-based optics to achieve the lowest power consumption, highest intensity and sharpest white/red transition. It exceeds ICAO / FAA / STANAG requirements to provide a clear approach path to the aviator.

Easy Installation

PAPI lights work equally well in permanent and temporary locations. Permanent mounting is easy with standard frangible mounting. Temporary deployment is fast with retractable legs and a lightweight, compact form factor. LED keypad designed for use with gloves. Removable, replaceable antenna.

Power Supply Versatility

The PAPI's low power consumption mates well with several power supplies:

- Solar kit
- Generator kit
- Battery kit
- AC only (certified to FAA AC 150/5345-28H)

Controllable

Control PAPI aviation lights with optional wireless control provides remote operation using either 900 MHz or 2.4 GHz communication. Local control and 3 and 5-step wired control are also available.

Trusted

Deployed around the globe, from military to civilian airfields and the Middle East to the Arctic Circle, the PAPI has proven its robustness.

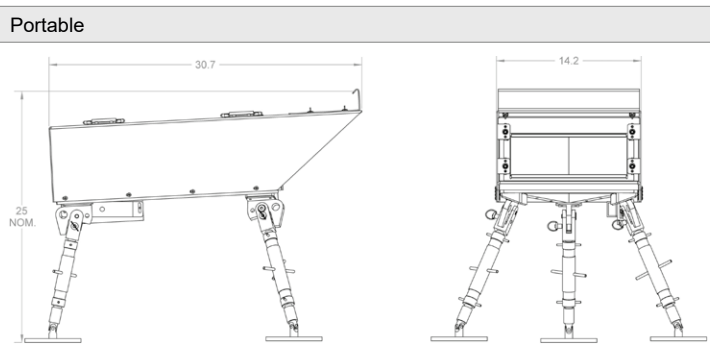
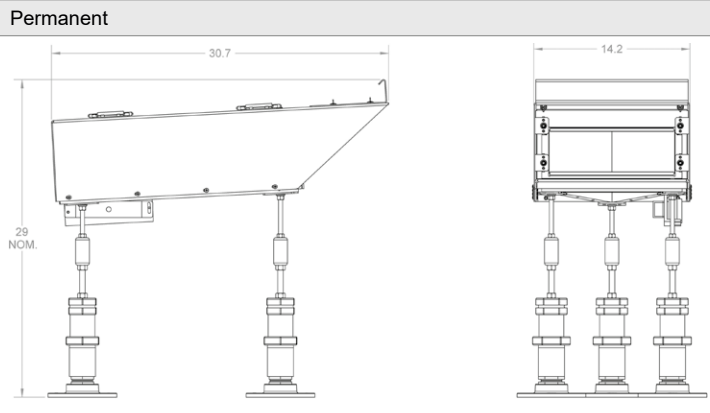


PAPI

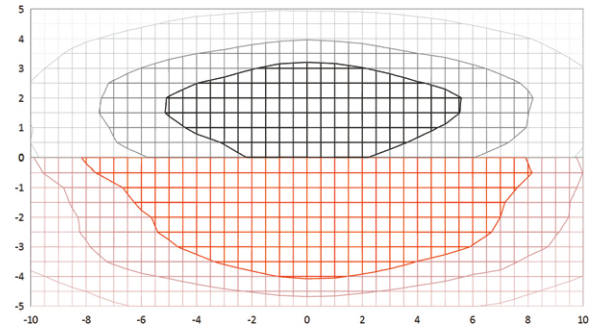
SPECIFICATIONS

Compliance	FAA AC 150/5345-28H L-880/881 & E-3007 (2 & 4 LHA)
	ICAO Annex 14 PAPI (2 & 4 LHA) & APAPI (2 LHA)
	STANAG 3316 PAPI (2 & 4 LHA) & APAPI (2 LHA)
	UFC 3-535-01 (4 LHA)
Optical	High-powered LEDs with heat management ensure consistent photometrics for life of product
	NVG-compatible infrared (IR) LEDs
Power Options	Solar kit: Solar panels and mounting, batteries and enclosures; air transportable container; AC input for backup
	Generator kit: Gas or diesel generator; AC input for backup
	Battery kit: Batteries & enclosures; AC input for backup
	AC only: 100-240 VAC 50/60 Hz; 3 and 5-step current input
Control Options	Ultra-low 55W / LHA power consumption make solar possible
	Non-wireless: AC input of 3 and 5-step current; local control
	Wireless: 900 MHz FHSS with encryption
	Wireless: 2.4 GHz DSSS with encryption
Construction	Powder-coated aluminum chassis with integrated handles
	Aviation orange standard, yellow and other colors available
	Stainless steel and anodized aluminum hardware
	Integrated digital level
Temperature	-40 to 140°F (-40 to 60°C) ambient
Wind Loading	161 kph (100 mph)
Ingress	NEMA 4 & EN 60529 IP 55 (IP 66 available with marine upgrade kit)
LHA Weight	12.7 kg (28 lbs)

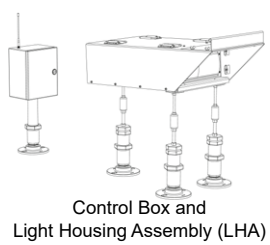
DIMENSIONS



PAPI ISOCANDELA - PHOTOMETRICS



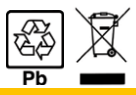
- | | |
|-------------------|-----------------|
| WHITE (cd) | RED (cd) |
| □ 0 - 10000 | □ 0 - 5000 |
| □ 10000 - 20000 | □ 5000 - 10000 |
| □ 20000 - 30000 | □ 10000 - 15000 |
| □ 30000+ | □ 15000+ |



CONFIGURATION

Model	Size	Mounting	Output	Power	Control
PAPI	Abbreviated 2 LHA Standard 2 LHA Standard 4 LHA	Permanent Portable	Visible Visible/IR	Solar Kit Generator Kit Battery Kit AC only	Non-wireless Wireless (900 MHz) Wireless (2.4 GHz) Wired, style B

Options: Handheld Controller, carrying case, tactical battery pack, tilt switch (for FAA), low temperature arctic kit, custom chassis color



FLASH TECHNOLOGY

flashsales@spx.com | flashtechnology.com/airfield | 1.615.503.2000

©2021 Flash Technology. All rights reserved. Data and specifications subject to change without notification. ISO 9001:2015. DPAPI-01 Rev G