

# UP2

All-in-One solar streetlight

IP65

IK07(PV)

IK08

CE

Sol<sup>®</sup>  
by Sunna Design<sup>®</sup>

ORION  
SOLAR



6

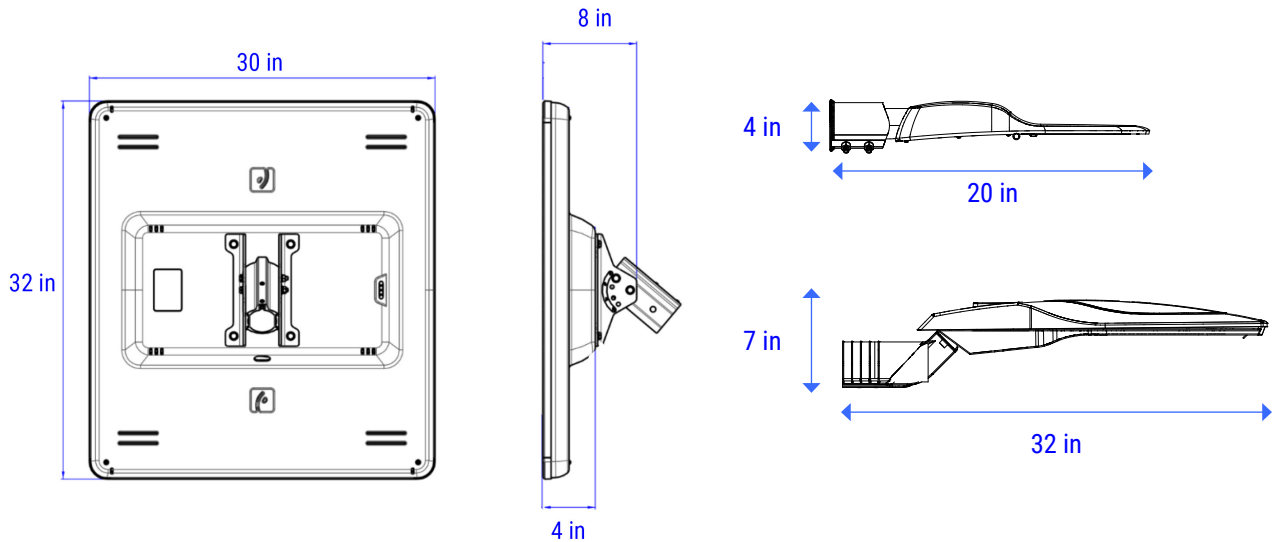
YEARS  
WARRANTY

LIGHTING	LED module	High efficiency LED light engine - Multichip Technology (IP 67)
	Luminous flux	3,200 to 5,600* lumens
	Consumption	20 W to 50* W
	Lighting efficiency	Up to 164 lm/W
	Color temperature options	5,700 K, 3,000 K and 4,000 K
	Lifespan	50,000 hours certified by IESNA LM-80 TM-21
	Certificates	EN 13032-1; EN 13032-2; EN 13201; EN 60598-1; EN 62471
SOLAR PANEL	Technology	Photovoltaic module (Monocrystalline silicon)
	Power	80 Wp (2x40 Wp)
	Electrical characteristics (per panel)	VOC : 23,4 V / VMPP : 18,72 V / ISC : 2,34 A / IMPP : 2,14 A / 36 cells
	Dimensions (per panel)	30 x 14 inches
	Lifespan	25 years
	Inclination	10°, 20°, 30°, 40°, 50°
	Structure	Frameless
BATTERY	Certificates	IEC 61215; IEC 61730 I and II
	Battery technology	NiMH battery, maintenance free, very high temperature resistance
	Voltage	24V
	Capacity	240 Wh
	Operating temperature range	-40°C to +70°C (-40°F to +158°F)
	Lifespan	12 years
	Certificates	EN 62133
ELECTRONICS	Technology	SunnaCore <sup>®</sup>
	Communication	Bluetooth
	Input voltage	24V
	Max. PV open circuit voltage	45V
	Max. charge/discharge current	5A
	Wiring	Marine-grade wiring used for all applications
	Electrical protection	Electronic fuse
	Lifespan	12 years
	Water resistance	IP65 with sealed plugs
	Operating temperature range	-20°C to +70°C (-4°F to +158°F)
GENERAL	Certificates	CE; EN61000; EN61547; EN55015; EN62493; EN 62479 EN300328; EN 301489-1
	Material	ABS PMMA casing (100% recycled) and aluminum
	EPA	6,67 ft <sup>2</sup>
	Fixation	Solar engine: Top mounting Ø60 mm ; Lantern: horizontal bracket
	Weight (without pole)	51 lbs
	Options	Motion sensor Anti-theft screws Anti birds spikes
	Smart Lighting options	Smart Lighting and Detection Remote monitoring

\* Available with motion sensor

© Sunna Design Inc / 2020

## Dimensions



## Available colors



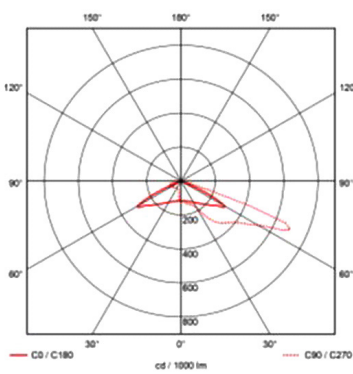
RAL 9010



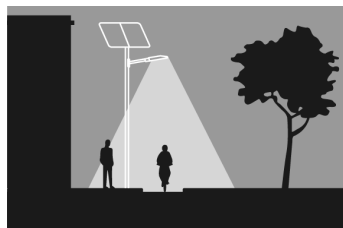
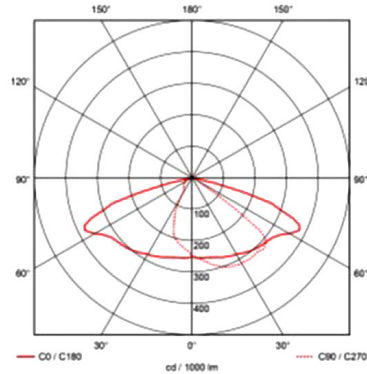
RAL 8019

## Light distribution

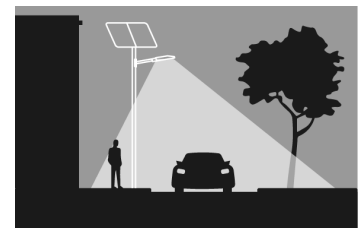
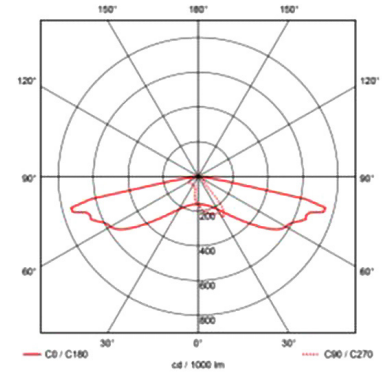
NARROW ROAD



MEDIUM ROAD



AREA WIDE ROAD



## References

PRODUCT REFERENCE	PRODUCT DESCRIPTION
SD4240 00 0000	UP2
SD4240 10 0000	UP2 - motion sensor