

iSSL Maxi Road

All-in-One solar streetlight

IP65

IK07(PV)

IK08

CE

Sol[®]
by Sunna Design[®]

ORION
SOLAR



6

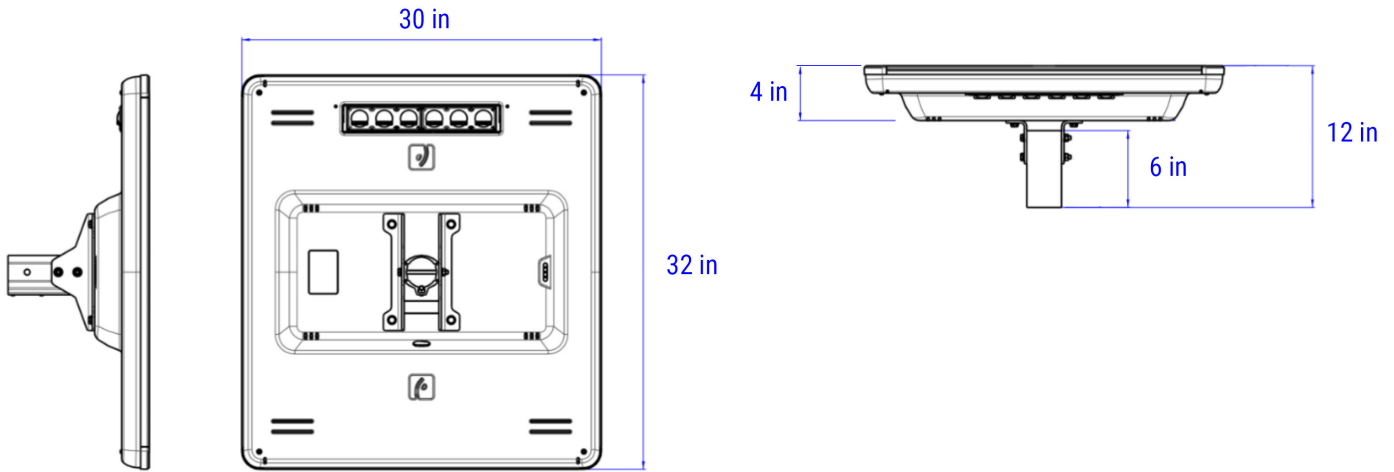
YEARS
WARRANTY

LIGHTING	LED module	High efficiency LED light engine - Multichip Technology (IP 67)
	Luminous flux	3,200 to 5,600* lumens on each side
	Consumption	20 W to 50* W
	Lighting efficiency	Up to 164 lm/W
	Color temperature options	5,700 K, 3,000 K and 4,000 K
	Lifespan	50,000 hours certified by IESNA LM-80 TM-21
	Certificates	EN 13032-1; EN 13032-2; EN 13201; EN 60598-1; EN 62471
SOLAR PANEL	Technology	Photovoltaic module (Monocrystalline silicon)
	Power	80 Wp (2x40 Wp)
	Electrical characteristics (per panel)	VOC : 23,04 V / VMPP : 18,72 V / ISC : 2,34A / IMPP : 2,14A / 36 cells
	Dimensions (per panel)	31 x 14 inches
	Lifespan	25 years
	Inclination	Horizontal
	Structure	Frameless
BATTERY	Certificates	IEC 61215; IEC 61730 I and II
	Battery technology	NiMH battery, maintenance free, very high temperature resistance
	Voltage	24V
	Capacity	240 Wh
	Operating temperature range	-40°C to +70°C (-40°F to +158°F)
	Lifespan	12 years
	Certificates	EN 62133
ELECTRONICS	Technology	SunnaCore [®]
	Communication	Bluetooth
	Input voltage	24V
	Max. PV open circuit voltage	45V
	Max. charge/discharge current	5A
	Wiring	Marine-grade wiring used for all applications
	Electrical protection	Electronic fuse
	Lifespan	12 years
	Water resistance	IP65 with sealed plugs
	Operating temperature range	-20°C to +70°C (-4°F to +158°F)
GENERAL	Certificates	CE; EN61000; EN61547; EN55015; EN62493; EN 62479 EN300328; EN 301489-1
	Material	ABS PMMA casing (100% recycled) and aluminum
	EPA	1 ft ²
	Fixation	Top mounting Ø2 inches
	Weight (without pole)	42 lbs
	Options	Motion sensor Anti-theft screws
	Smart Lighting options	Smart Lighting and Detection Remote monitoring

* Available with motion sensor

© Sunna Design Inc / 2020

Dimensions



Available colors



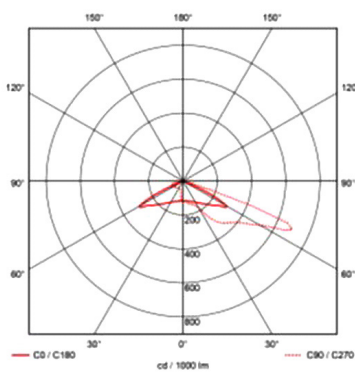
RAL 9010



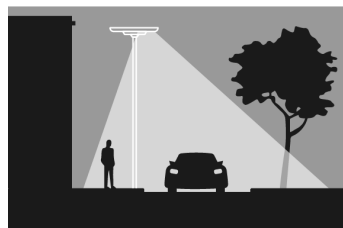
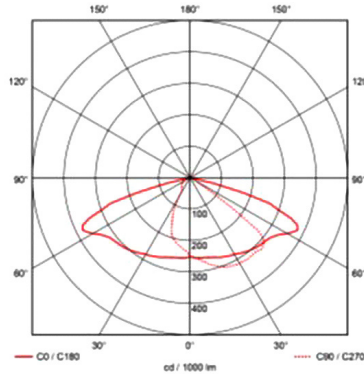
RAL 8019

Light distribution

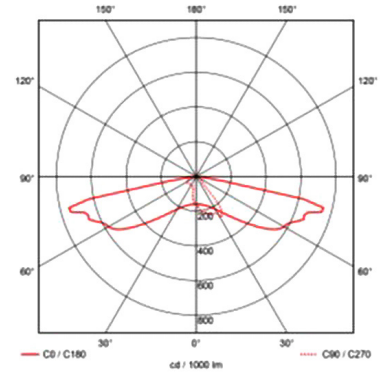
NARROW ROAD



MEDIUM ROAD



AREA WIDE ROAD



References

PRODUCT REFERENCE	PRODUCT DESCRIPTION
SD4200 000 000	iSSL Maxi - ROAD
SD4200 100 000	iSSL maxi - ROAD – Motion sensors