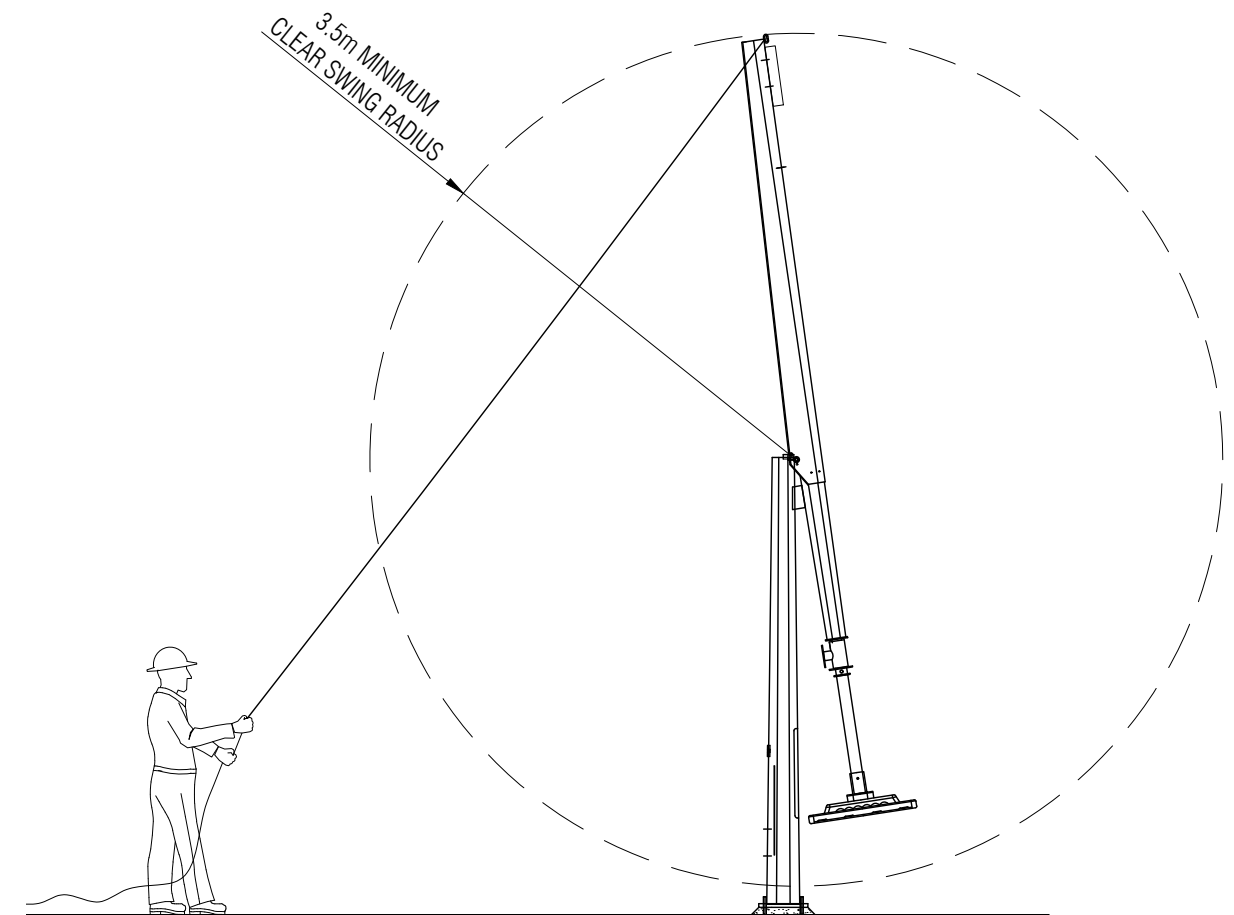


BASEPLATE ARRANGEMENT

WARNING:
 POLES ARE SPECIFICALLY & INDIVIDUALLY DESIGNED TO BE BALANCED AROUND THE HINGE SO THAT THE POLE CAN BE SWUNG WITH MINIMAL EFFORT BASED ON THE NUMBER AND WEIGHT OF THE CAMERAS / FITTINGS ON EACH POLE. MOUNTINGS SHOULD NOT BE ALTERED OTHERWISE THE POLE MAYBE DANGEROUS TO OPERATE. REFER TO GM POLES MID-HINGED POLES OPERATION MANUAL PRIOR TO OPERATION.



POLE DURING LOWERING OPERATION



490 Freeman Rd.
 RICHLANDS,
 QLD 4077
 Ph: (07) 3718 4900